

1 Each container requires 4 guide-boards in order to secure the wall vertical upright. The spacing between the guide-boards depends on the length of the container.

Needed Tools:

1. Electric hand drill for metal
2. 17mm wrench tool
3. 4 sets form guide-board
4. 4 x Bolt M10 x 110mm
5. 4 x Bolt M10 x 90mm
6. 8 x M10 Stopper-nut
7. 16 x Trim head wood screws 5x40mm

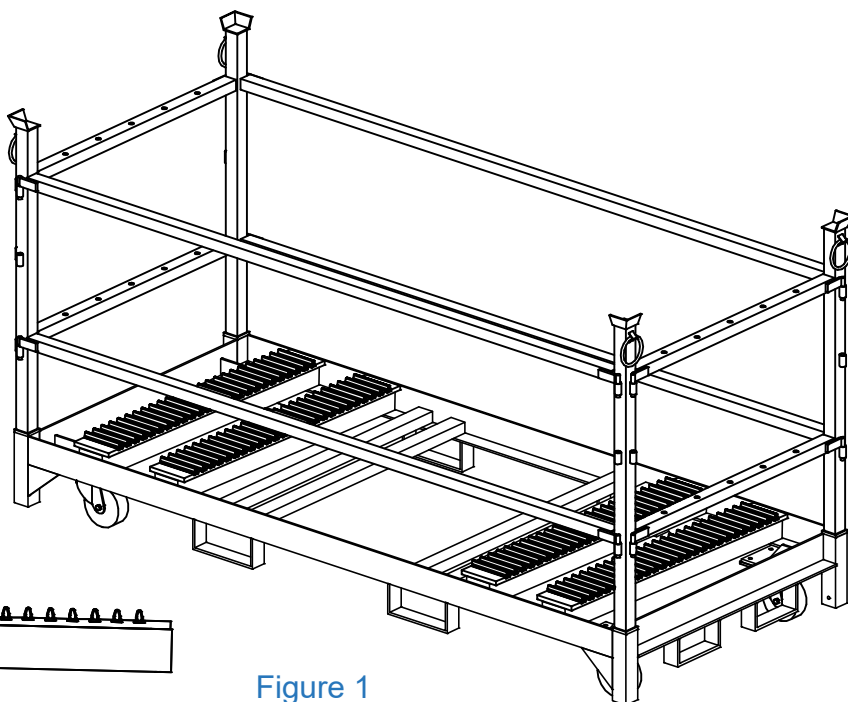
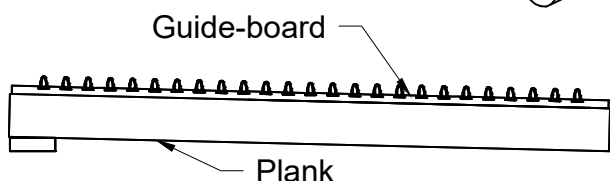


Figure 1

2 In order to mount the guide-boards please follow the 3 steps:

Note : If the planks are already mounted then start from step 3.

2.1 Each container requires 8 holes as shown in Figure 2. The spacing of the holes depends on the length of the transportcontainer See Table 1 for the corresponding values. The holes are to be drilled using a 12mm diameter drill bit.

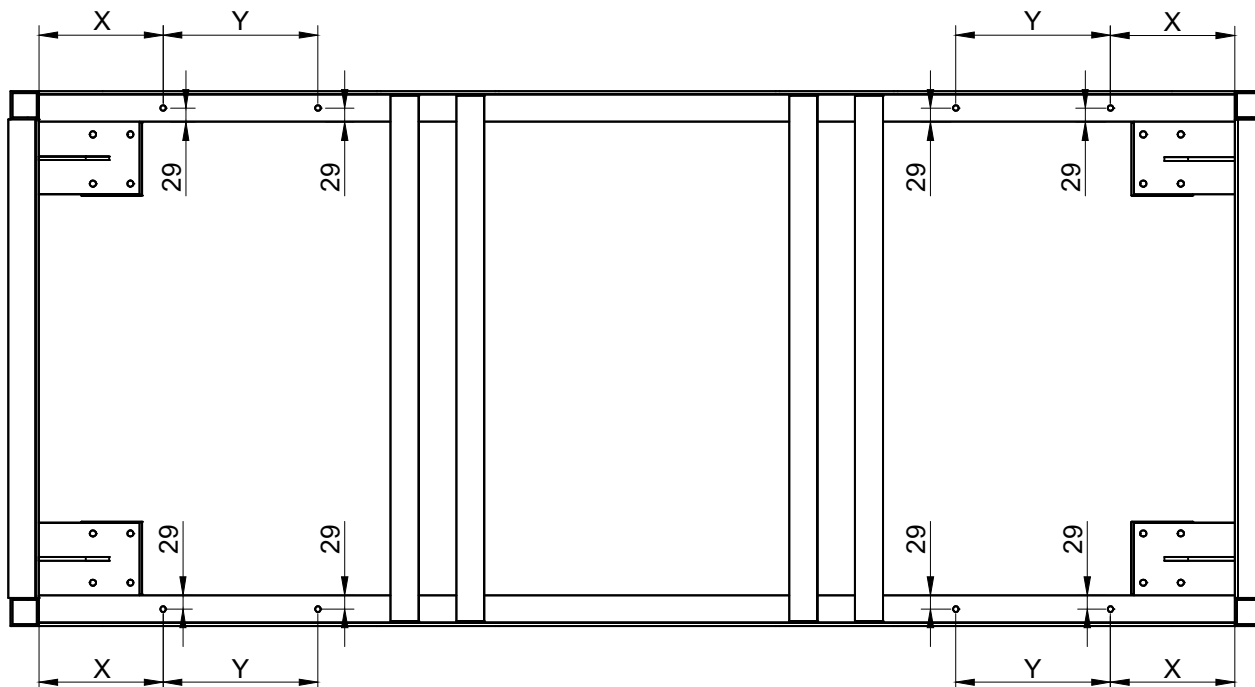


Figure 2

| Order number | Dimension L x W x H (mm) | Length X (mm) | Length Y (mm) |
|--------------|--------------------------|---------------|---------------|
| 9.101.000    | 4200 x 1170 x1450        | 265           | 330           |
| 9.101.001    | 3700 x 1170 x1450        | 265           | 580           |
| 9.101.002    | 3200 x 1170 x1450        | 265           | 830           |
| 9.101.003    | 2700 x 1170 x1450        | 265           | 840           |

Table 1

- 2.2 Place the plank over the hole and align the holes. Then fasten it together with bolt M10 x 110mm on the side which is higher and bolt M10 x 90mm on the side which is lower as shown in Figure 3. Fasten both bolts with stopper-nut.

Note : All the edges which are higher must be on the same end.

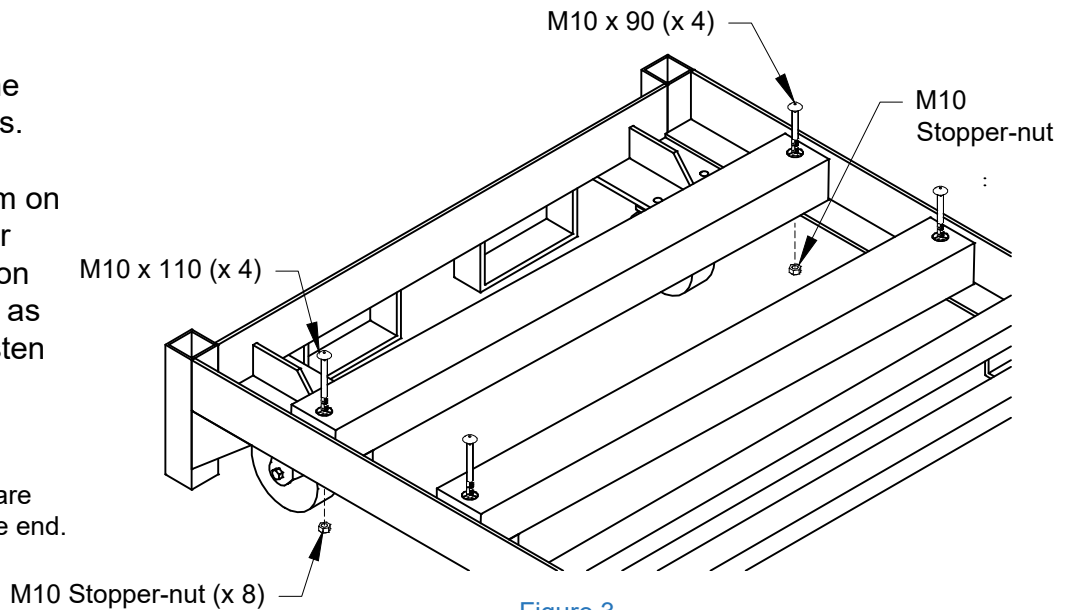


Figure 3

- 2.3 Place the guide-board over the plank as shown in Figure 4 and fasten it using trim head wood screws 5x40mm. Screw it in the following arrangement as shown in Figure 5.

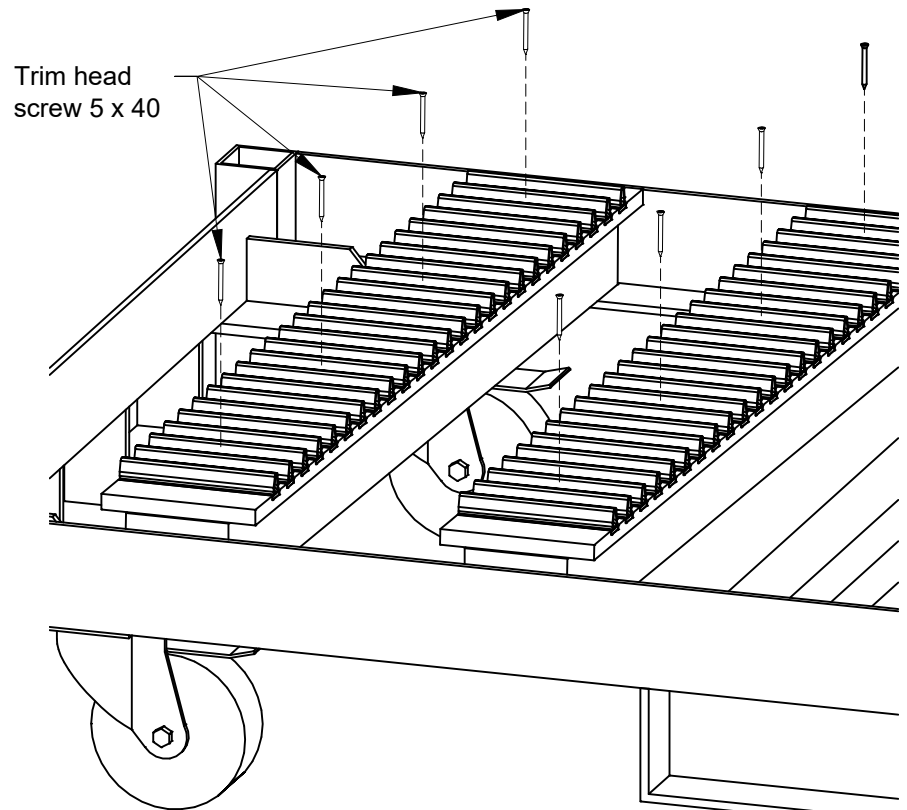


Figure 4

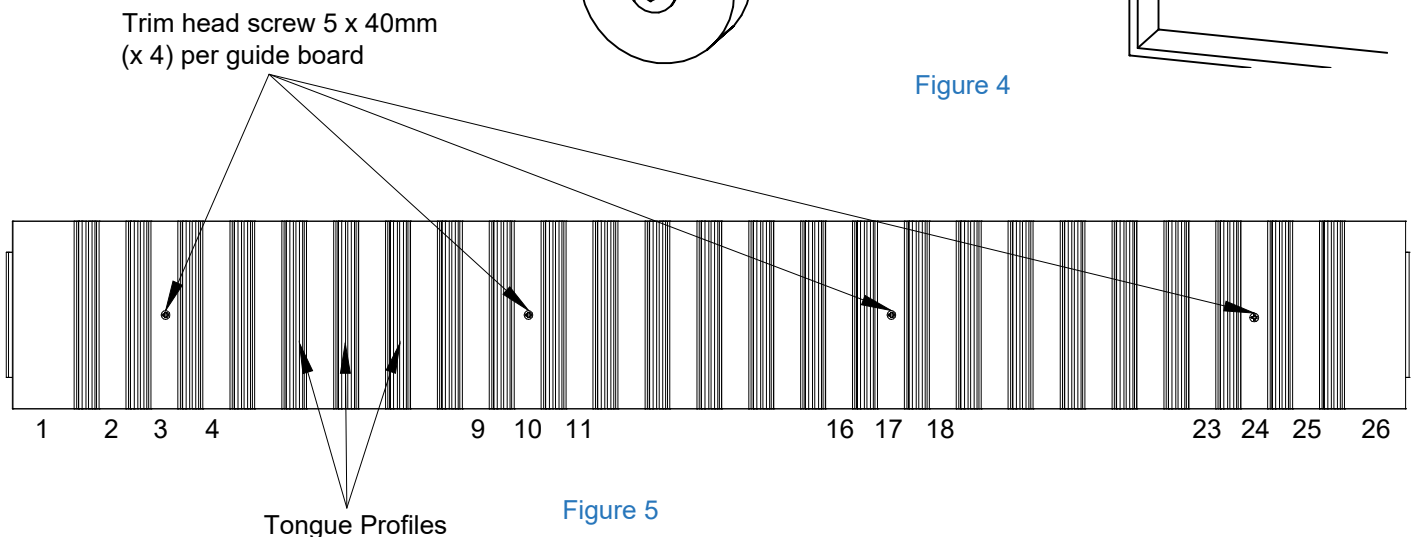


Figure 5